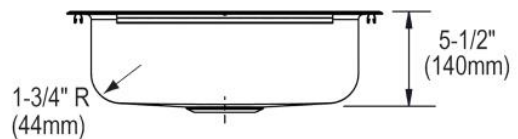
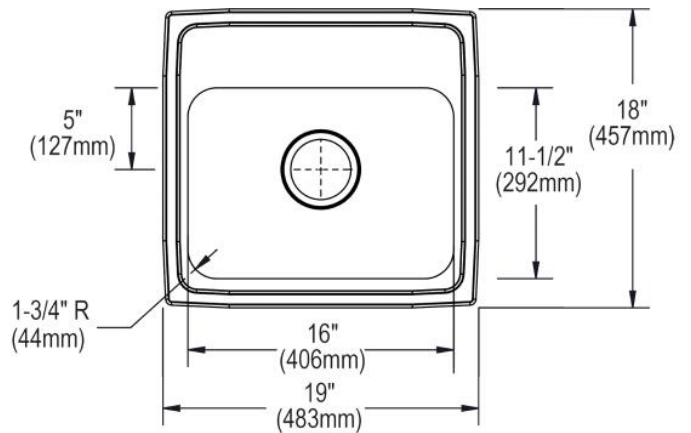
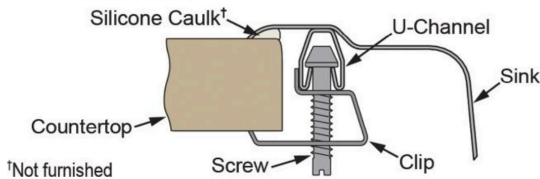


**STAINLESS STEEL SINK (SSS-1918-ADA)**

- **REPAIRABLE FINISH:** Finish is scratch resistant to heavy-duty use. Deep scratches are repairable. Lustrous grain reflects light evenly for high shine.
- **DROP-IN INSTALLATION:** Sink is designed for drop-in installation.
- **18-GAUGE STAINLESS STEEL:** Highest quality 18-gauge thickness and Type 304 stainless steel for lasting durability.
- **QUIET:** Sound-deadening pad(s) minimizes sound and vibration for a quieter time at the sink.
- **U-CHANNEL INSTALLATION:** Mounting clips placed inside the channel before installation mean less time under the sink for an easier install.
- **ADA COMPLIANT** when properly installed
- **OFFSET DRAIN:** drain placement provides more usable space on the bottom of the sink and in the cabinet below
- **MADE IN THE USA**
- **DRAIN OPENING:** Sink drain opening measures 3 1/2".
- **CABINET SIZE:** Minimum cabinet size for this sink is 24".
- **FAUCET HOLES:** A single 1 1/2" faucet hole is standard. More holes are available on request.



**Installation Profile:**



This sink is compliant to ADA and ANSI/ICC A117.1 accessibility requirements when installed according to the requirements outlined in these standards.

**Cutout Dimensions for Drop-in Installation:**

18 3/8" x 17 3/8" (467mm x 441mm) with 1 1/2" (38mm) corner radius