

## EP-1313ABAF WORK SURFACE MOUNTED ELECTRICAL PEDESTAL ASSEMBLY

Electrical Pedestal Assemblies are mounted on work surfaces virtually anywhere you need them making all your electrical connections easier. Switching from tool to tool is made effortless without the need to bend down to floor level just to change power sources.

**FEATURES & SPECIFICATIONS:**

- 3/4" NPSM Male Mounting Shank Assembly
- For 120 Volt Service
- UL Listed
- Brushed Aluminum Finish

**AVAILABLE ELECTRICAL OUTLETS:**

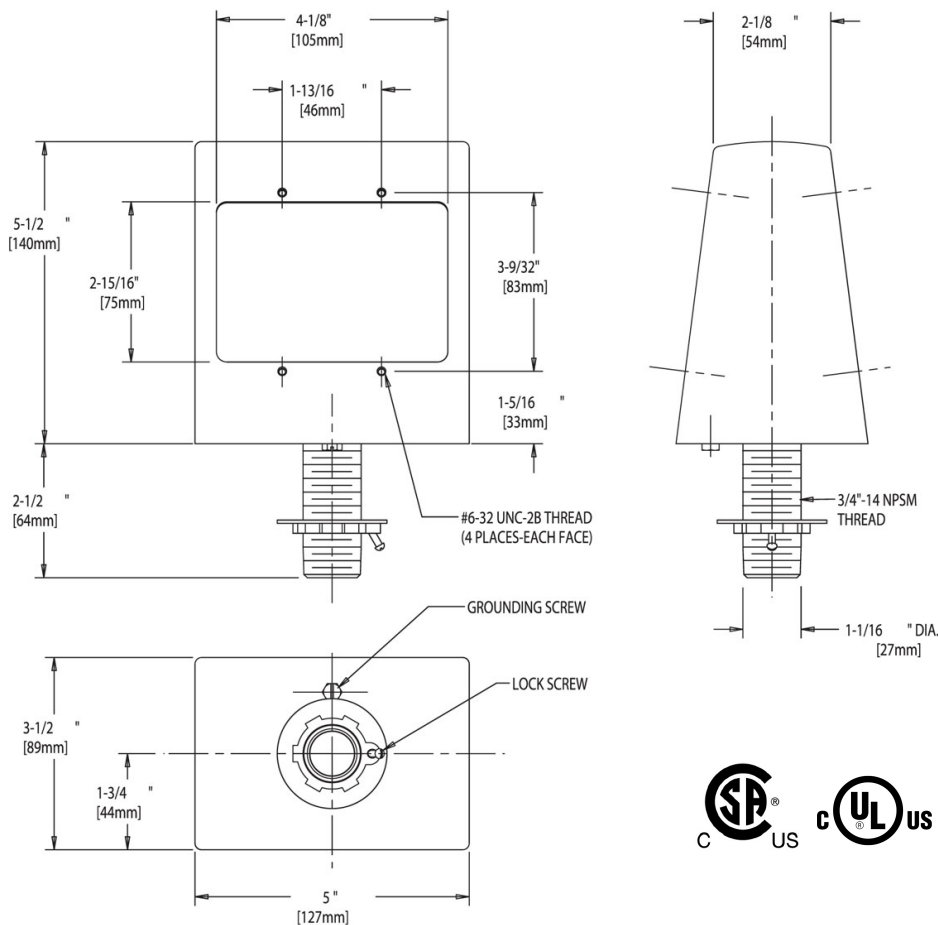
- EP-1 110 V 15 AMP      EP-3 220V 15 AMP      EP-GFI Ground Fault
- EP-2 110 V 20 AMP      EP-4 220 V 20 AMP

Please call for electrical requirements not shown here.



**EP-1313ABAF  
Double Sided Double Pedestal**

**ARCHITECT/ENGINEER SPECIFICATIONS**



PD EP-1313ABAF - v.1.2