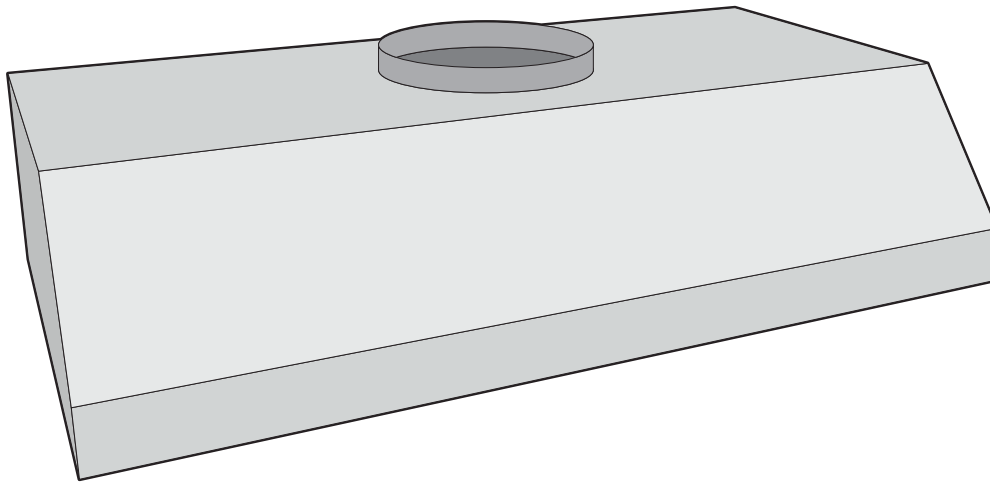


**CANOPY HOODS**

**STAINLESS STEEL**



**Teclab Canopy Hoods** can be built to any dimensions needed, up to 96" wide.

Typically, the depth is 24", height is 10 1/2" and the width varies to suit the space. The duct flange diameter can vary depending on your needs from 3 1/2" to 40". Check with your HVAC engineer to insure proper requirements.

Canopy Hoods include a heavy-duty wall mounting bracket system for simple, solid installation.

**STANDARD PARTS:**

part #	width	depth	height	flange dia.
<b>CH-36-SS</b>	36"	24"	10.5"	6"
<b>CH-48-SS</b>	48"	24"	10.5"	8"
<b>CH-60-SS</b>	60"	24"	10.5"	10"
<b>CH-72-SS</b>	72"	24"	10.5"	12"
<b>CH-96-SS</b>	96"	24"	10.5"	(2) 10"

