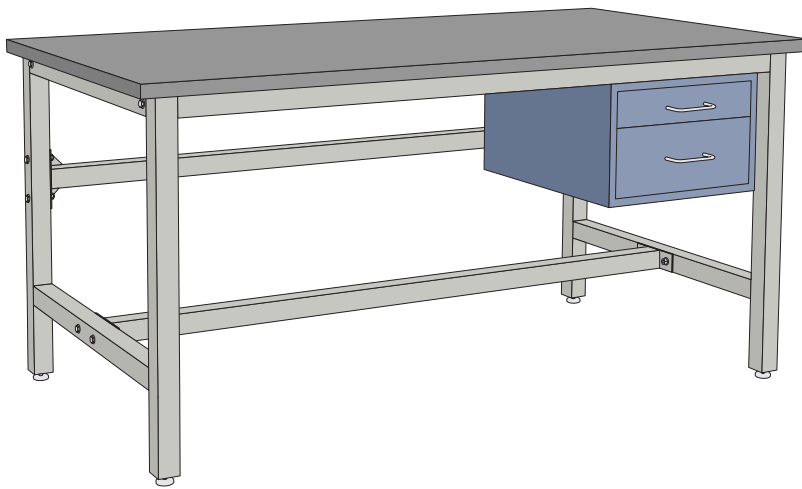


HANGING BASE CABINET WUTS-1805

Teclab builds modular cabinetry of superior strength, thanks to twin full-perimeter frames. We also set door and drawer faces into the cabinet shell to protect the contents from spills.



WUTS-1805 FEATURES

One "A" drawer, one "B" drawer.

Cabinet Dimensions: 18" wide, 11 7/8" high, 22" deep

"A" Drawer

Drawer Face Dimensions: 16 3/8" wide, 3 1/4" high, 1" thick.

Drawer Body Inside Dimensions: 13 7/8" wide, 2" high, 19 1/2" deep.

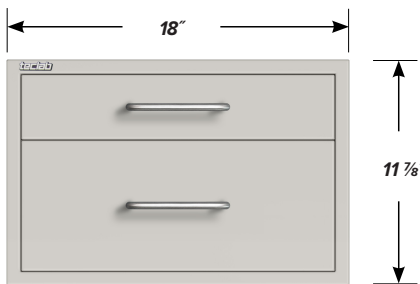
Weight Capacity: 75 lbs.

"B" Drawer

Drawer Face Dimensions: 16 3/8" wide, 6 1/16" high, 1" thick.

Drawer Body Inside Dimensions: 13 7/8" wide, 5" high, 19 1/2" deep.

Weight Capacity: 75 lbs.



FRONT



SIDE