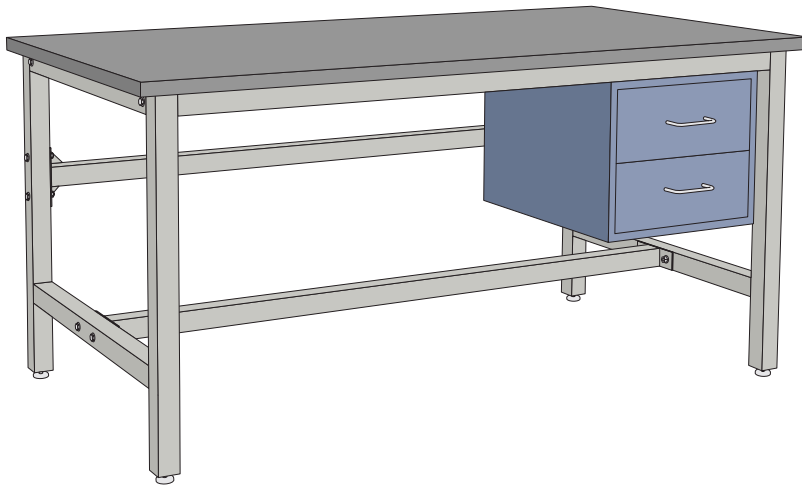


## HANGING BASE CABINET WUTS-1801

Teclab builds modular cabinetry of superior strength, thanks to twin full-perimeter frames. We also set door and drawer faces into the cabinet shell to protect the contents from spills.



### WUTS-1801 FEATURES

#### Two "B" drawers.

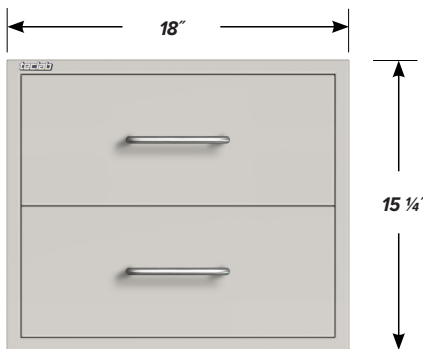
Cabinet Dimensions: 18" wide, 15 1/4" high, 22" deep

#### "B" Drawer

Drawer Face Dimensions: 16 3/8" wide, 6 1/16" high, 1" thick.

Drawer Body Inside Dimensions: 13 7/8" wide, 5" high, 19 1/2" deep.

Weight Capacity: 75 lbs.



**FRONT**



**SIDE**