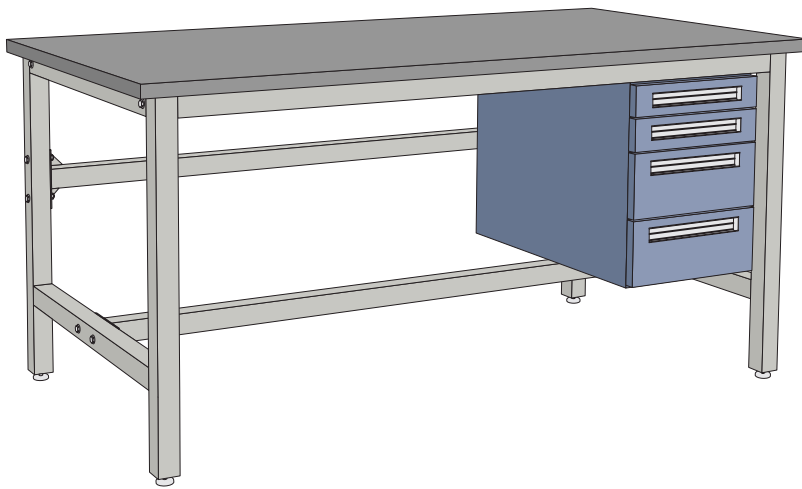


## HANGING BASE CABINET UTS-1510

Teclab Base Cabinets are constructed of only top quality, heavy-duty, furniture-grade, cold-rolled steel, double-braced and welded at all critical joints; twin full-perimeter frames formed of heavy gauge steel, welded to provide strength and rigidity; heavy-duty drawers that glide effortlessly on precision steel ball bearings; cabinet doors that open and close with authority and precision using self-closing hinges; brushed aluminum pulls that are recessed for clean lines and unobtrusive operation; durable, textured paint finish, in a wide selection of mar-resistant, easy-to-clean colors.



### UTS-1510 FEATURES

**Two "A" drawers, two "B" drawers.**

Cabinet Dimensions: 15" wide, 20 7/8" high, 28" deep

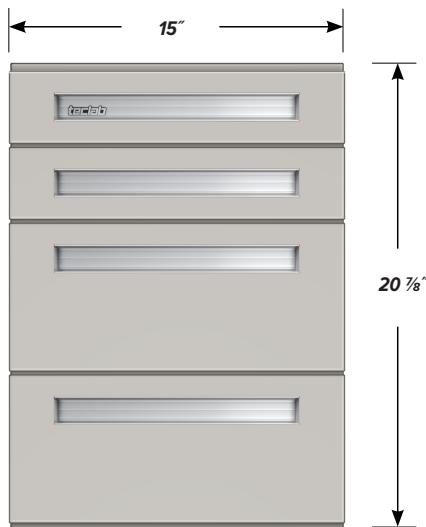
**"A" Drawer**

Drawer Face Dimensions: 15" wide, 3 1/4" high, 1" thick.  
 Drawer Body Inside Dimensions: 12" wide, 2" high, 25 1/2" deep.  
 Weight Capacity: 75 lbs.

*Top "A" drawer can be replaced with a writing surface.*

**"B" Drawer**

Drawer Face Dimensions: 15" wide, 6 1/16" high, 1" thick.  
 Drawer Body Inside Dimensions: 12" wide, 5" high, 25 1/2" deep.  
 Weight Capacity: 75 lbs.



**FRONT**



**SIDE**