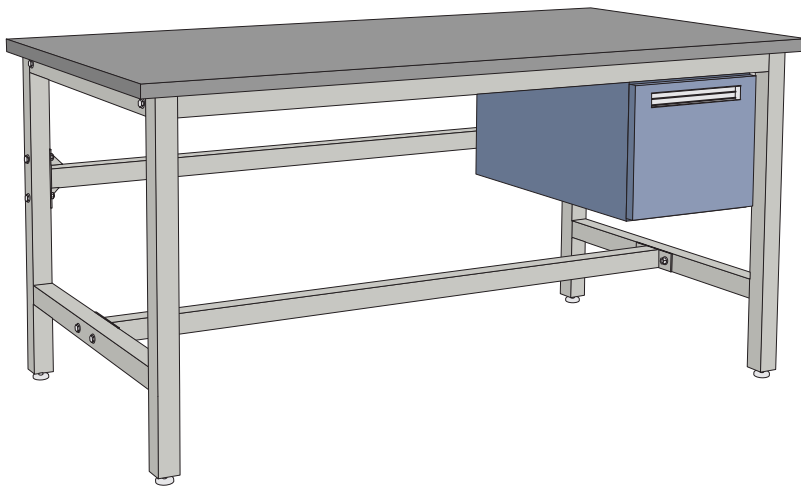


HANGING BASE CABINET UTS-1504

Teclab Base Cabinets are constructed of only top quality, heavy-duty, furniture-grade, cold-rolled steel, double-braced and welded at all critical joints; twin full-perimeter frames formed of heavy gauge steel, welded to provide strength and rigidity; heavy-duty drawers that glide effortlessly on precision steel ball bearings; cabinet doors that open and close with authority and precision using self-closing hinges; brushed aluminum pulls that are recessed for clean lines and unobtrusive operation; durable, textured paint finish, in a wide selection of mar-resistant, easy-to-clean colors.



UTS-1504 FEATURES

One "C" drawer.

Cabinet Dimensions: 15" wide, 14" high, 28" deep

"C" Drawer

Drawer Face Dimensions: 15" wide, 13 1/2" high, 1" thick.

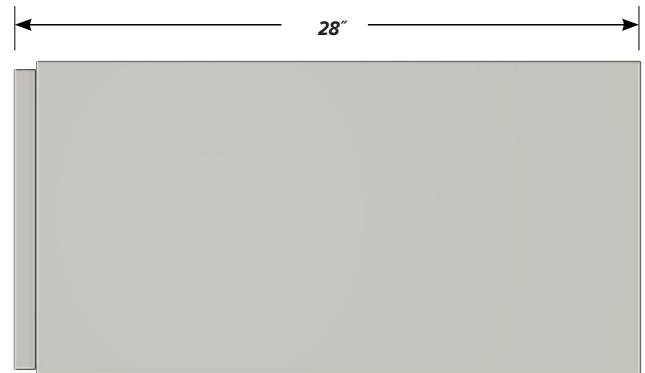
Drawer Body Inside Dims.: 12" wide, 9 1/2" high, 25 1/2" deep.

Weight Capacity: 75 lbs.

All 15" wide "C" drawers accept standard hanging files.



FRONT



SIDE