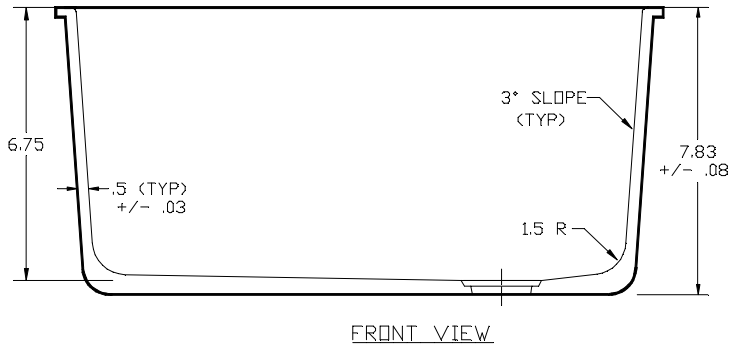


EPOXY RESIN SINK (RS-1010)

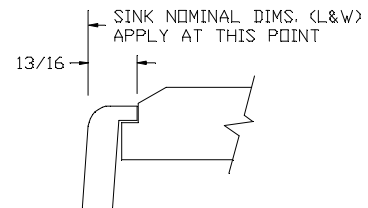
A Double-Bowl sink is created using a pair of single drop-in sinks that are installed side-by-side with a 1" worksurface strip between the two installed sinks.

Dropln Sinks are top mounted. This simplified method of installation seals the sink cutout and eliminates the worksurface overhang between the inner walls of undermount sink basins and the sink cutout which can gather residual chemicals and bacteria.

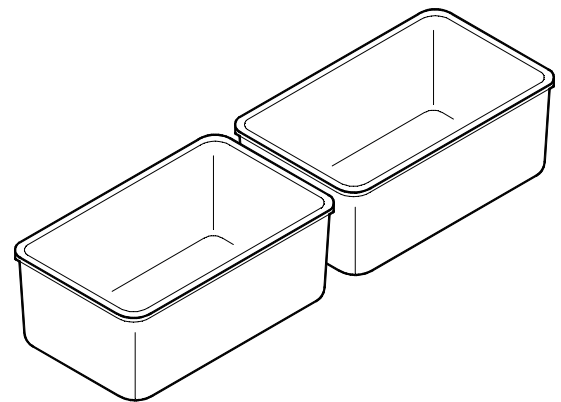
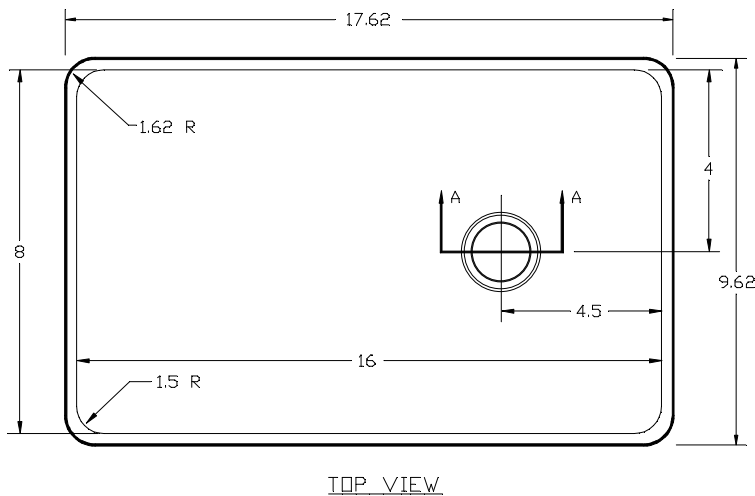
All Dropln Sink surfaces are clearly visible and radiused for ease of cleaning.



DRAIN OPENING DETAIL
SECTION A-A



WALL DETAIL AT LIP



ISOMETRIC VIEW