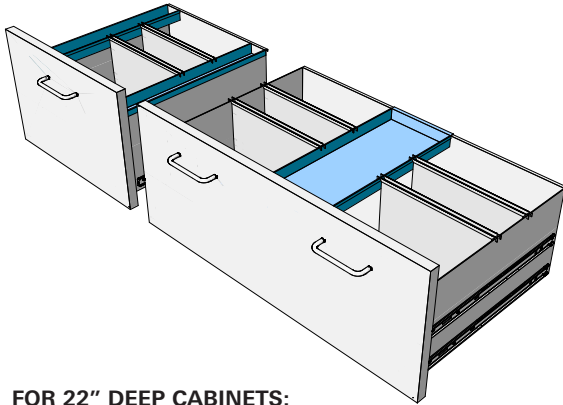


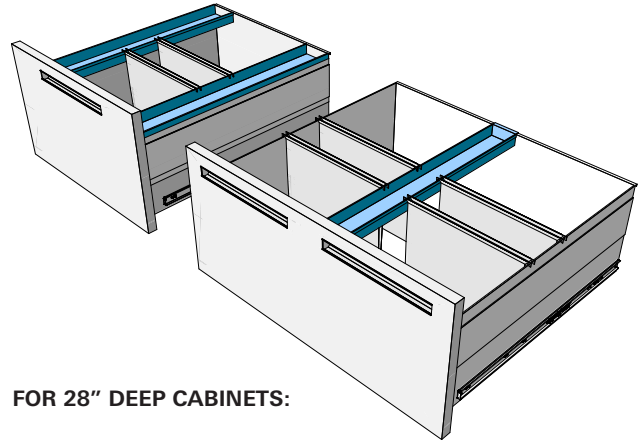
HANGING FILE ADAPTER KITS

Turn any "C" height drawer into a file drawer with these helpful kits.



FOR 22" DEEP CABINETS:

- HFK-18-W** for 18" wide drawers
- HFK-21-W** for 21" wide drawers
- HFK-24-W** for 24" wide drawers
- HFK-30-W** for 30" wide drawers
- HFK-36-W** for 36" wide drawers
- HFK-42-W** for 42" wide drawers

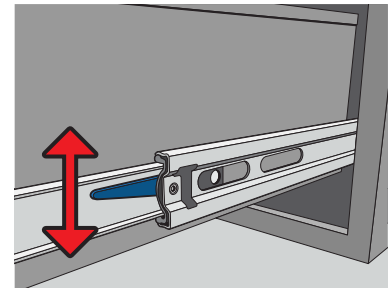


FOR 28" DEEP CABINETS:

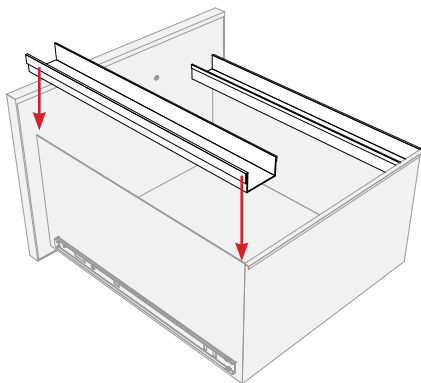
- HFK-22** for 22" wide drawers
- HFK-30** for 30" wide drawers
- HFK-36** for 36" wide drawers

INSTALLATION

If desired, remove drawers from the cabinets by pulling drawers open and pressing the black tabs on the rails in opposite directions. The tab on the left should be lifted up and the right side pushed down to release the drawer.



Narrower drawers will have two adapters that slide over the edges of the drawer sides



Wider drawers have single center adapter. Remove the appropriate existing screws, then reinstall them holding the adapter in place.

